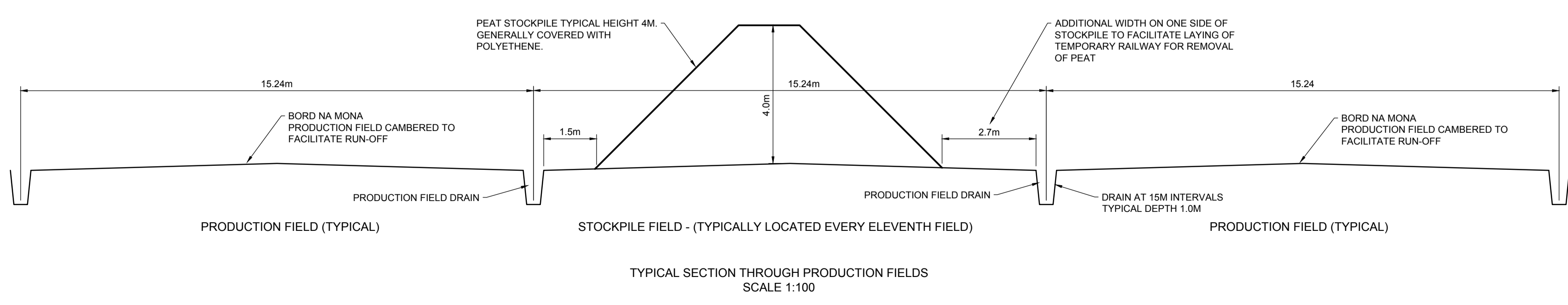
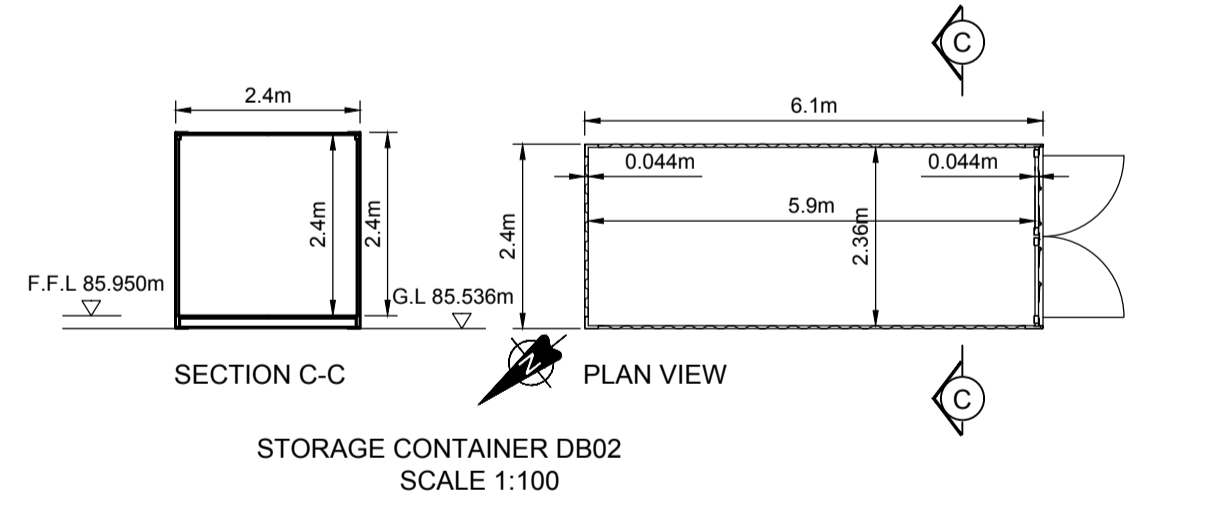
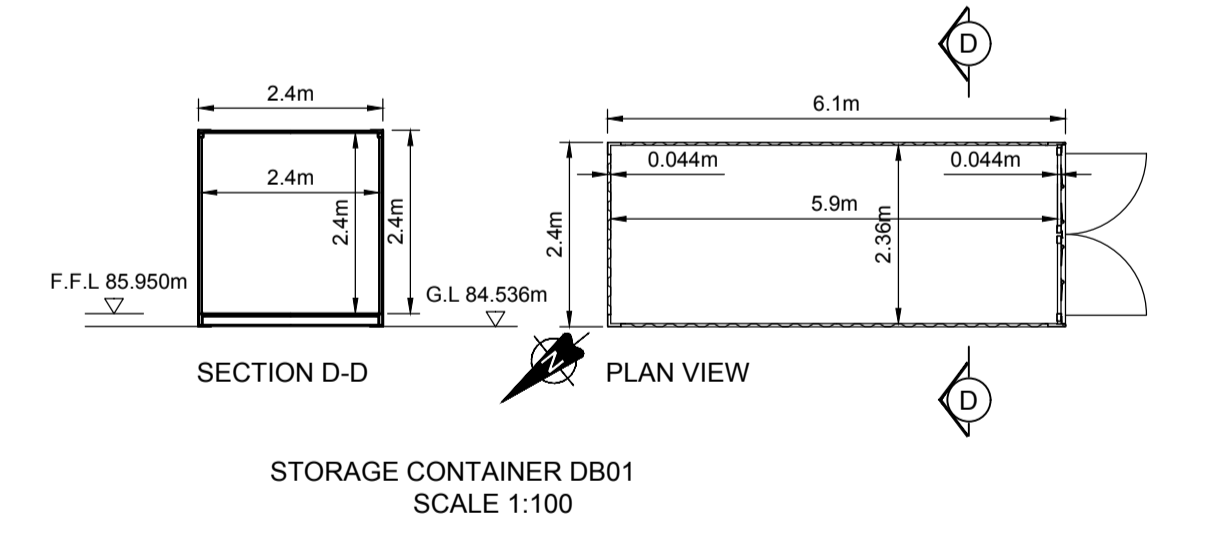
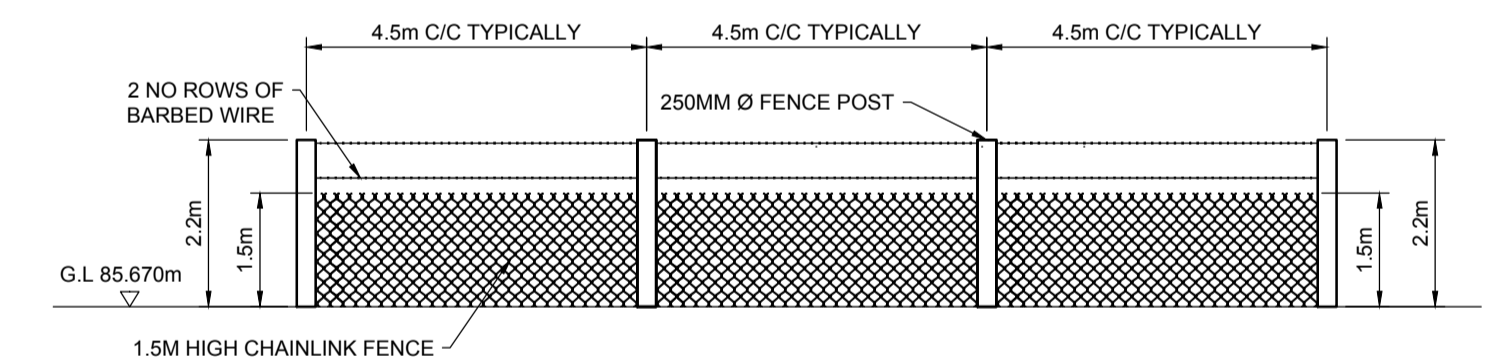
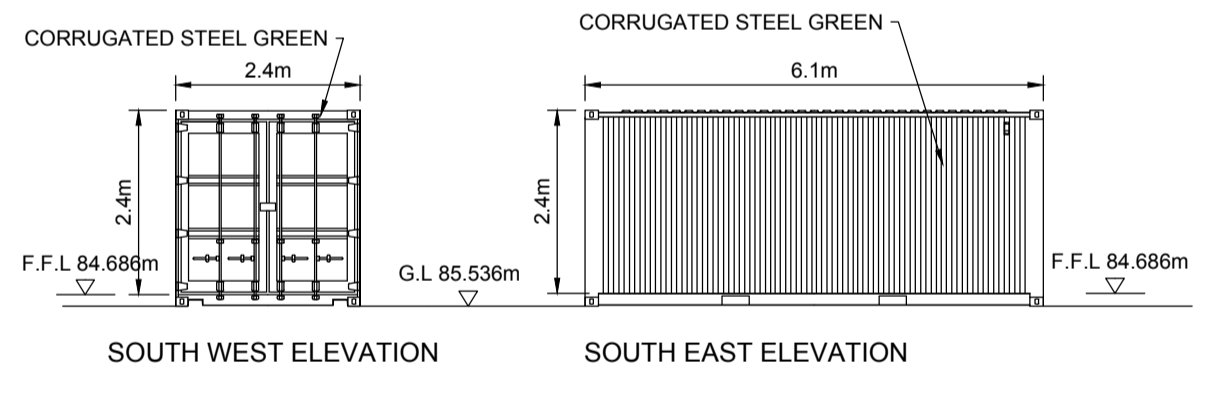
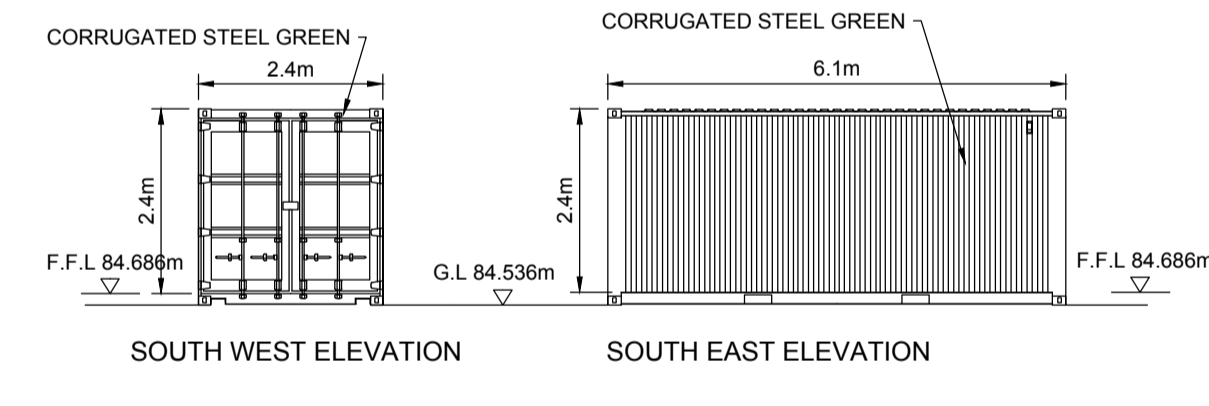
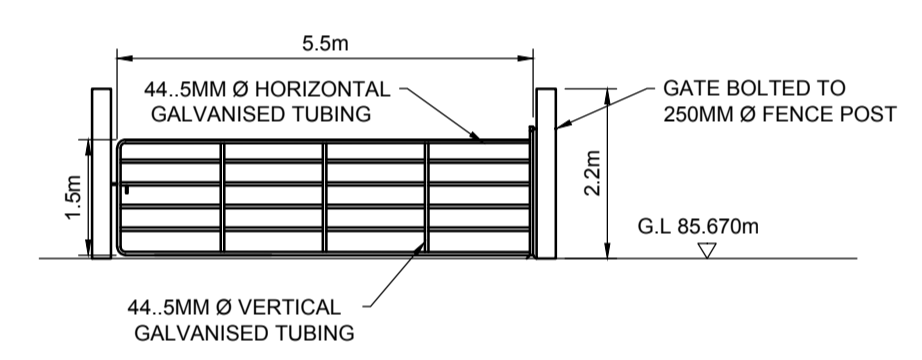
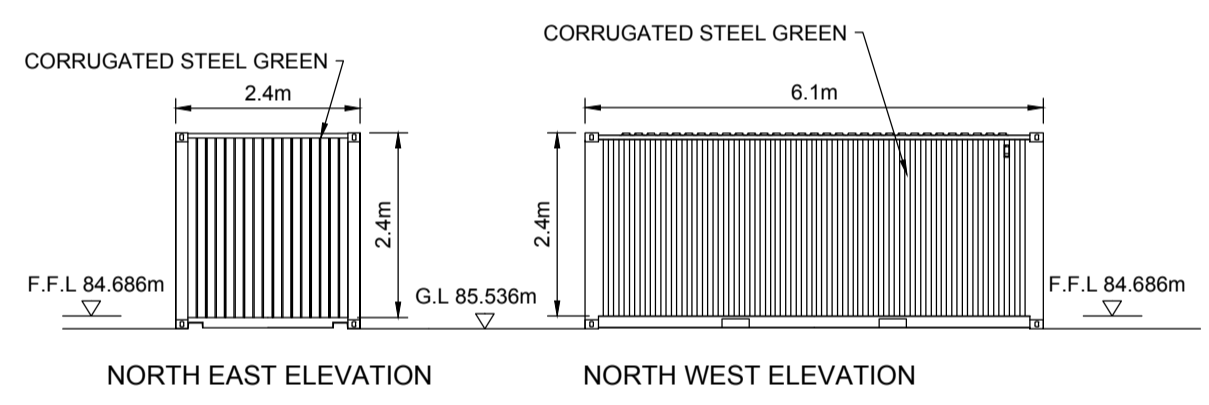
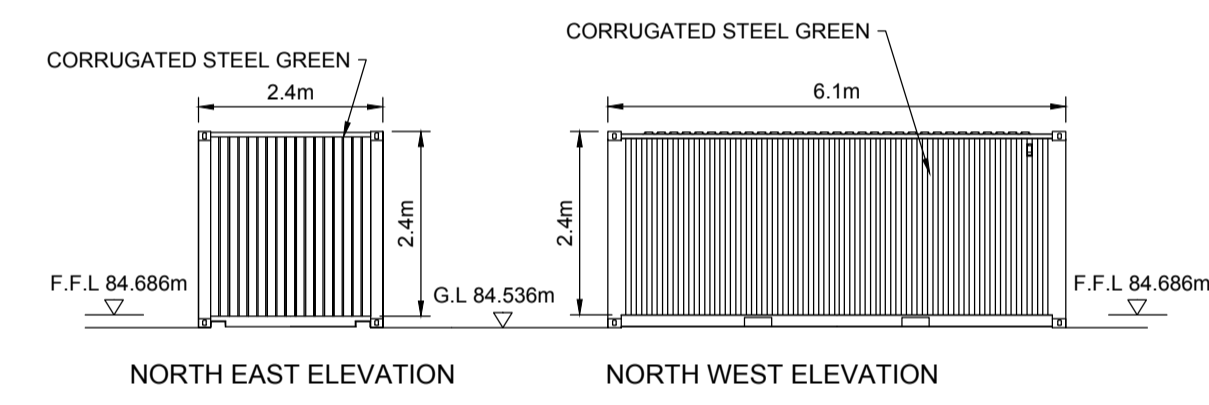
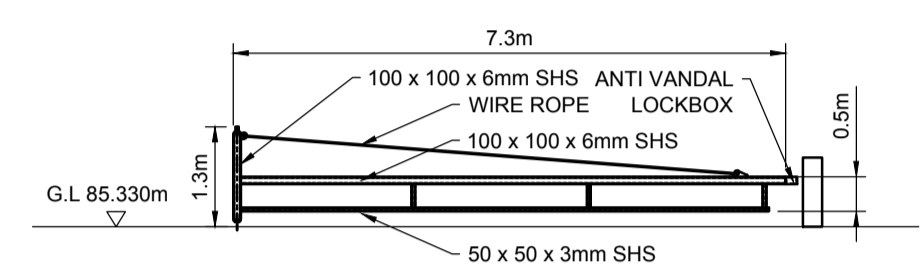
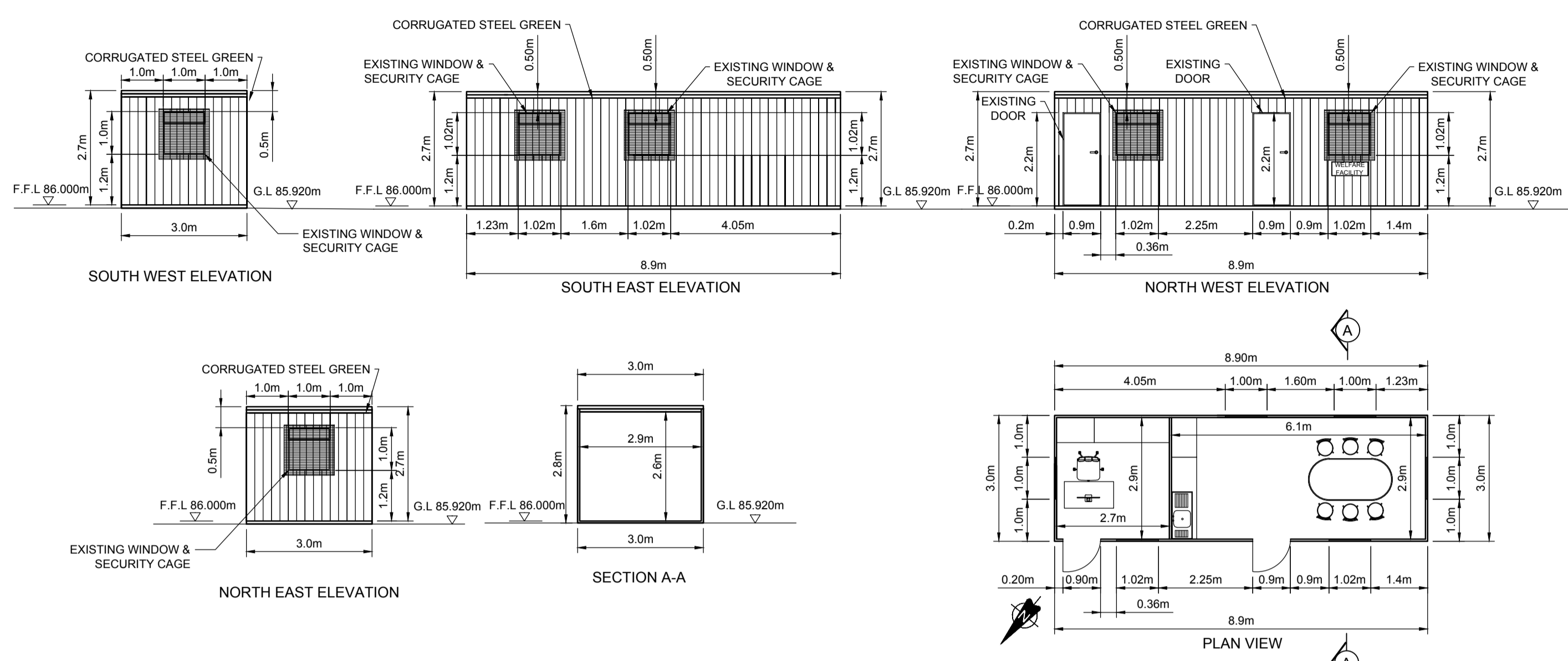


- NOTES:**
1. THIS DRAWING IS FOR PLANNING APPLICATION PURPOSES ONLY.
  2. DRAWING NOT TO BE SCALED. FIGURED DIMENSIONS ONLY TO BE USED.
  3. ALL LEVELS TO MALIN HEAD METRES ABOVE DATUM



Project: SUBSTITUTE CONSENT APPLICATION DERRINBOY BOG, CO OFFALY				
Title: BUILDINGS AND STRUCTURES				
Dimensions in METRES				
Scale: 1:100 @ A1				
Drawn By:	SD	03/03/2020		
Checked By:	PN	04/03/2020	Drawing No.	Revision.
Approved By:	DK	21/05/2020	0500-SC-DB-005	Sheet 1 of 2

